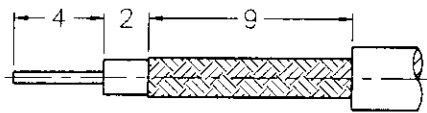
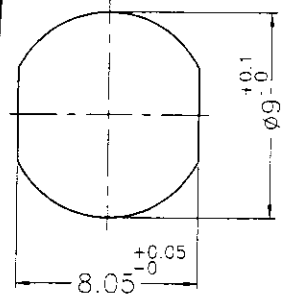


REVISIONS		
ISS	ZONE	DESCRIPTION\PER REQUEST\DATE

業務部

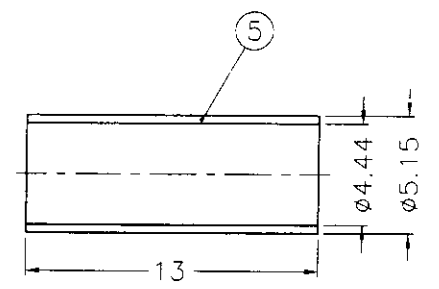
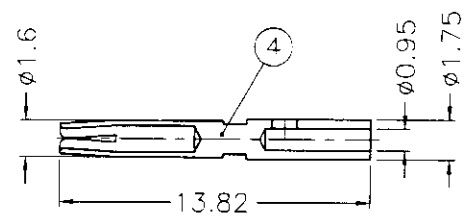
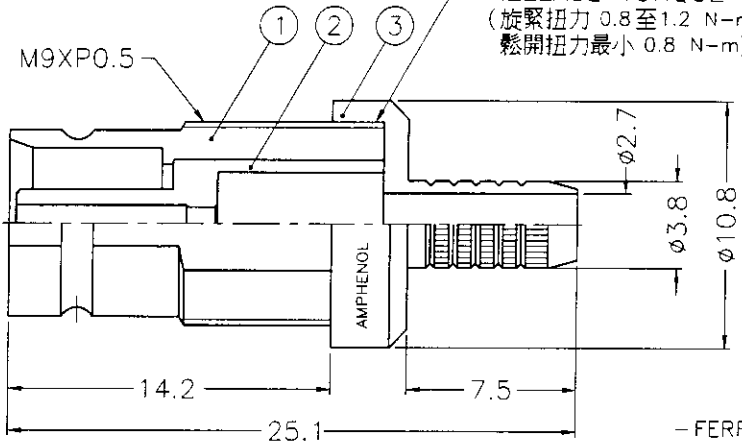
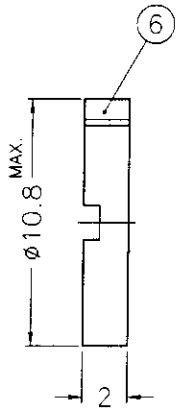


RECOMMENDED  
CABLE STRIPPING DIM'S  
(建議剝線尺寸)



RECOMMENDED  
MOUNTING HOLE  
(建議架設孔)

SCREW TORQUE 0.8 TO 1.2 N-m  
RELEASE TORQUE 0.8 N-m MIN.  
(旋緊扭力 0.8 至 1.2 N-m  
鬆開扭力最小 0.8 N-m)



- FERRULE CRIMPING TOOLS P/N(套管壓著工具)  
277-944 (M22520/5.01)  
227-1221-09 (M22520/5.09) HEX: 4.52
- INNER CONTACT CRIMPING TOOL P/N(內導體壓著工具)  
413 SP 00 ADJUST TO 5
- CONNECTOR ACCORDING TO NF C 93-570, DIN 47-295, CEI 169-13  
(連接器依據 NF C 93-570, DIN 47-295, CEI 169-13)
- PACKAGING IN BAG WITH COMMERCIAL PART NUMBER AND DATE CODE  
(使用商業產品編號和日期碼袋包裝)

PANEL THICKNESS: 2.5 MAX.  
(板厚: 2.5 MAX.)

出圖  
89.3.07  
R & D

DIMENSIONS ARE IN MILLIMETERS										PART NO.		Amphenol - Kai Jack																																																																							
<table border="1"> <tr> <th>NO.</th> <th>DESCRIPTION</th> <th>MATERIAL</th> <th>FINISH</th> <th>Q'TY</th> <th>DRAWING NO.</th> <th>SCALE</th> <th>3/1</th> <th>ISSUE</th> <th>A</th> </tr> <tr> <td>6</td> <td>NUT</td> <td>BRASS</td> <td>NICKEL</td> <td>1</td> <td></td> <td></td> <td></td> <td></td> <td></td> </tr> <tr> <td>5</td> <td>FERRULE</td> <td>COPPER</td> <td>NICKEL</td> <td>1</td> <td></td> <td></td> <td></td> <td></td> <td></td> </tr> <tr> <td>4</td> <td>CONTACT PIN</td> <td>BECCU</td> <td>GOLD</td> <td>1</td> <td></td> <td></td> <td></td> <td></td> <td></td> </tr> <tr> <td>3</td> <td>BARREL</td> <td>BRASS</td> <td>NICKEL</td> <td>1</td> <td></td> <td></td> <td></td> <td></td> <td></td> </tr> <tr> <td>2</td> <td>INSULATOR</td> <td>TEFLON</td> <td>NATURAL</td> <td>1</td> <td></td> <td></td> <td></td> <td></td> <td></td> </tr> <tr> <td>1</td> <td>BODY</td> <td>BRASS</td> <td>GOLD</td> <td>1</td> <td></td> <td></td> <td></td> <td></td> <td></td> </tr> </table>										NO.	DESCRIPTION	MATERIAL	FINISH	Q'TY	DRAWING NO.	SCALE	3/1	ISSUE	A	6	NUT	BRASS	NICKEL	1						5	FERRULE	COPPER	NICKEL	1						4	CONTACT PIN	BECCU	GOLD	1						3	BARREL	BRASS	NICKEL	1						2	INSULATOR	TEFLON	NATURAL	1						1	BODY	BRASS	GOLD	1						156-655-03E		TAINAN TAIWAN	
										NO.	DESCRIPTION	MATERIAL	FINISH	Q'TY	DRAWING NO.	SCALE	3/1	ISSUE	A																																																																
										6	NUT	BRASS	NICKEL	1																																																																					
										5	FERRULE	COPPER	NICKEL	1																																																																					
4	CONTACT PIN	BECCU	GOLD	1																																																																															
3	BARREL	BRASS	NICKEL	1																																																																															
2	INSULATOR	TEFLON	NATURAL	1																																																																															
1	BODY	BRASS	GOLD	1																																																																															
										APPROVED	<i>[Signature]</i>	DATE	03-04-00'	TITLE	1.6/5.6 75Ω BULKHEAD MOUNT JACK (FOR FLEX 3 CABLE)																																																																				
										CHECKED	<i>[Signature]</i>	DATE	03-04-00'	DRAWING NO.																																																																					
										DRAWN	<i>[Signature]</i>	DATE	03-04-00'	FILE NO.	F:\DWG\ASF\156\655\03E																																																																				

F  
E  
D  
C  
B  
A

F  
E  
D  
C  
B  
A